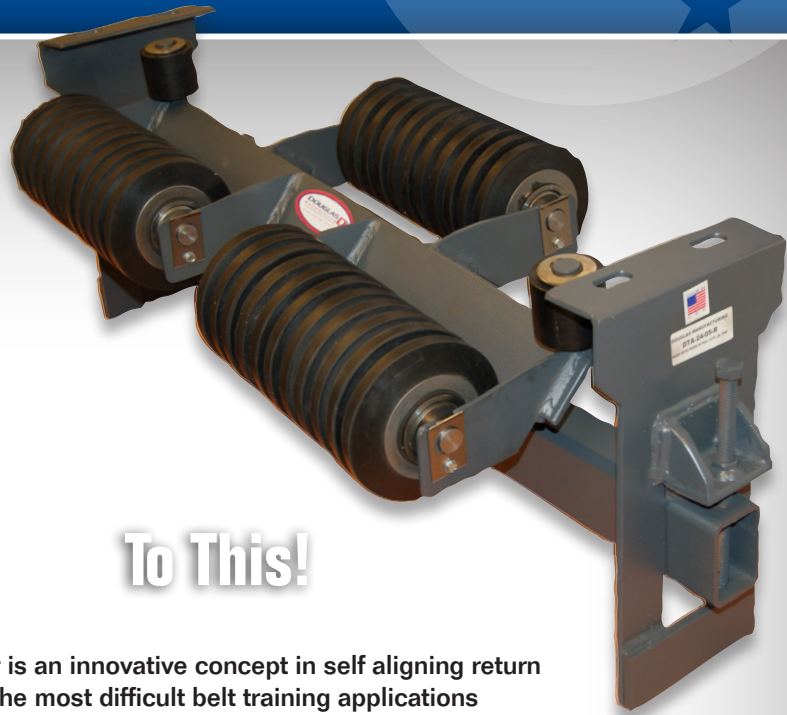


The NEGOTIATOR™ Self Aligning Return Idler



Go from this...

To This!

The Negotiator™ Self Aligning Return Idler is an innovative concept in self aligning return roll design. The cutting edge design is for the most difficult belt training applications where conventional self aligning idlers have not been able to help with belt tracking.

Design features include:

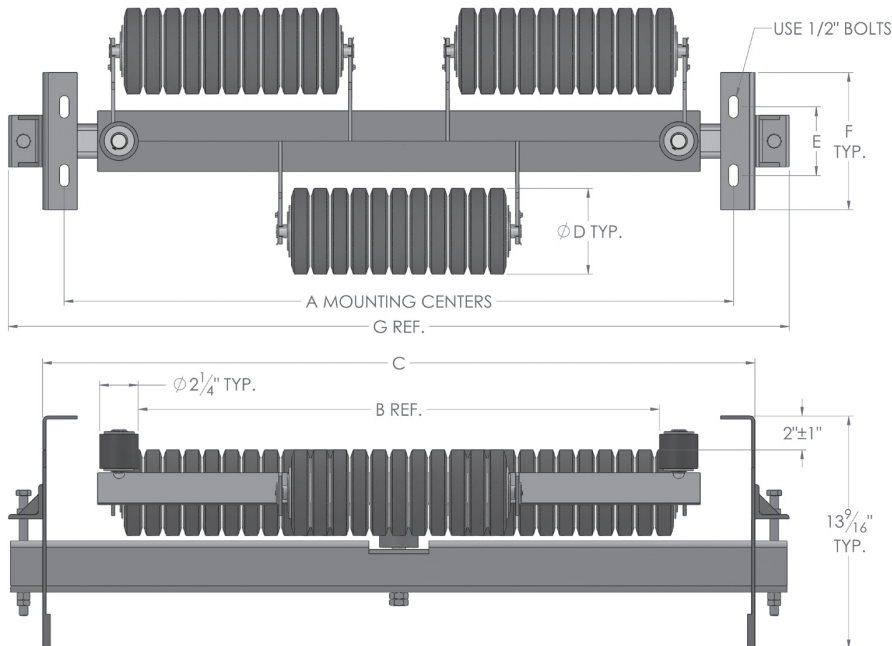
- Unique three roller design helps center the belt better than conventional rolls
- Self cleaning frame design helps to prevent material build up by shedding carry-back from the return side of the belt
- Three roll design offers a support bed that cradles the belt and more efficiently reacts to the pressure of the side guide rolls
- Three roll design decreases shaft deflection and increases bearing life inside the roll when compared to conventional single roll return idlers
- Rubber discs help to shed material and prevent material build up on the rolls
- Can be used with reversing belts
- UHMW side guide rolls have the lowest possible coefficient of friction and help to prevent belt damage
- Side guide rolls are strategically positioned to help prevent the belt from contacting the brackets
- Lower profile design is ideal for those tight to fit applications
- The mounting brackets are vertically adjustable ± 1 " providing an additional tracking aid

DOUGLAS 
manufacturing
CONVEYING INNOVATION

MADE IN

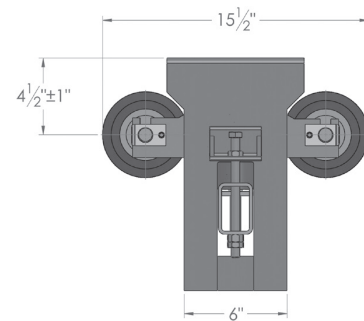
U. S. A.

The NEGOTIATOR™ Self Aligning Return Idler



MADE IN

U. S. A.



NEGOTIATOR™ SELF ALIGNING RETURN IDLER 5" RUBBER DISCS										
BELT WIDTH	PART NUMBER	WT.	A	B	C	D	E	F	G	MOUNTING BOLTS
30	DTA-30-05R	138	39	31 1/4	41 1/2	5	4	8	45 1/4	1/2
36	DTA-36-05R	148	45	37 1/4	47 1/2	5	4	8	51 1/4	1/2
42	DTA-42-05R	164	51	43 1/4	53 1/2	5	4	8	57 1/4	1/2
48	DTA-48-05R	177	57	49 1/4	59 1/2	5	4	8	63 1/4	1/2
54	DTA-54-05R	190	63	55 1/4	65 1/2	5	4	8	69 1/4	1/2
60	DTA-60-05R	203	69	61 1/4	71 1/2	5	4	8	75 1/4	1/2

FOR STEEL CAN OPTION REPLACE "R" WITH "S" IN THE PART NUMBER

NEGOTIATOR™ SELF ALIGNING RETURN ROLL WITH 6" RUBBER DISCS										
BELT WIDTH	PART NUMBER	WT.	A	B	C	D	E	F	G	MOUNTING BOLTS
30	DTA-30-06R	146	39	31 1/4	41 1/2	6	4	8	45 1/4	1/2
36	DTA-36-06R	161	45	37 1/4	47 1/2	6	4	8	51 1/4	1/2
42	DTA-42-06R	175	51	43 1/4	53 1/2	6	4	8	57 1/4	1/2
48	DTA-48-06R	190	57	49 1/4	59 1/2	6	4	8	63 1/4	1/2
54	DTA-54-06R	204	63	55 1/4	65 1/2	6	4	8	69 1/4	1/2
60	DTA-60-06R	219	69	61 1/4	71 1/2	6	4	8	75 1/4	1/2

FOR STEEL CAN OPTION REPLACE "R" WITH "S" IN THE PART NUMBER

Copyright © February 2009 Douglas Manufacturing Co., Inc. ALL RIGHTS RESERVED. The Negotiator™ is a trademark of Douglas Manufacturing Co., Inc. All dimensions and specifications subject to change without notice. Do not use published dimensions for construction or fabrication purposes. Certified dimensions of ordered material available on request.